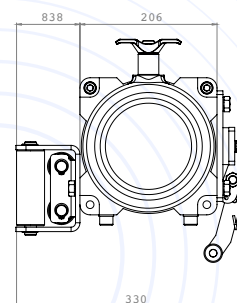
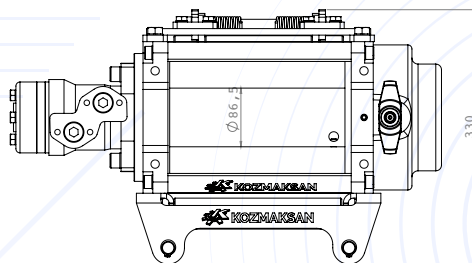
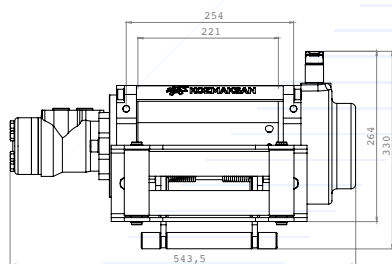
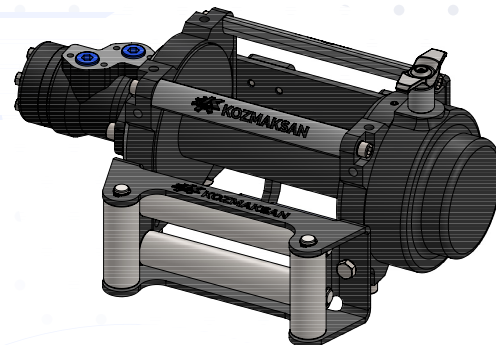


- High-strength, long-lasting steel body
- Extra reinforced planetary gear system with special steel heat treatment
- Lightweight and powerful design
- Standard winch guide system and rope stabiliser
- Manual winch discharge system provided as standard
- High torque hydromotor



Rope Winding Count	Pulling Capacity kg/lbs	Winding Speed m-min/(ft-min)	Rope Length m/ft
1	6800/15000	6/19,7	5.5/18
2	5495/12120	7.5/24,3	12.4/40,7
3	4610/10168	8.8/28,9	20/65,9
4	3970/8757	10.3/33,8	26.5/86,9

Technical Specifications	
Pulling Rate	: 6800 kg
Motor Displacemet	: 80 cc
Oil Flow	: 5 ~ 60 L/min
Pressure	: 130 BAR
Rope	: 25 m x Ø 12mm
Fairlead	: 4-ways rollers
Net Weight	: 69 kg